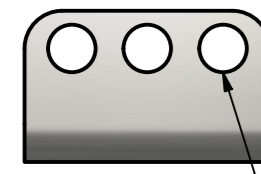
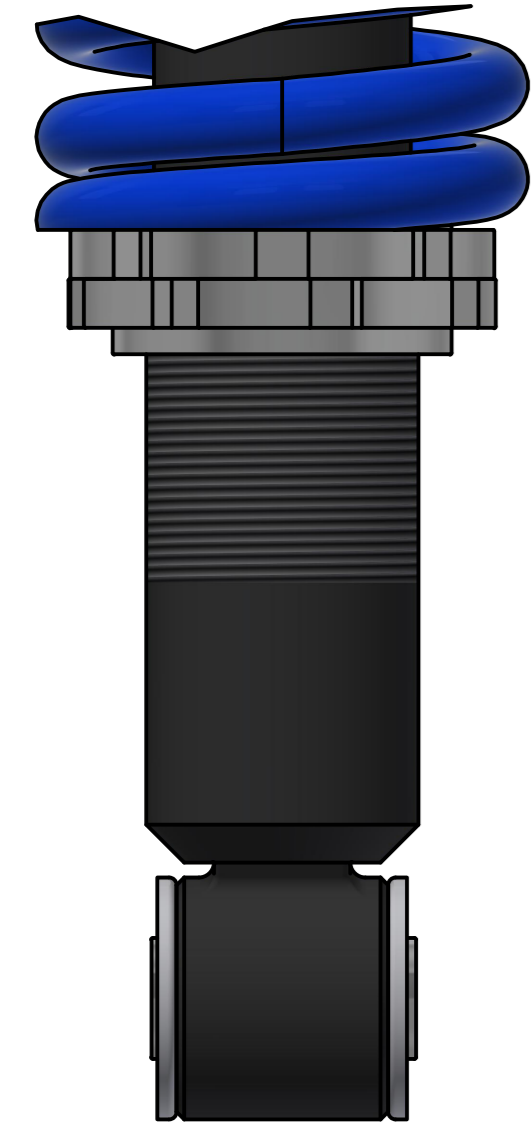


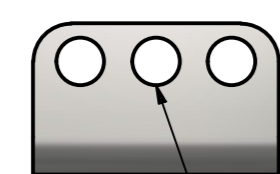
REVISION HISTORY			
REV	DESCRIPTION	DATE	AUTHOR
B	Changing shock absorbers	05.09.2017	MM
C	Changing shock absorbers	02/12/2021	MM

Position of the front shock absorber

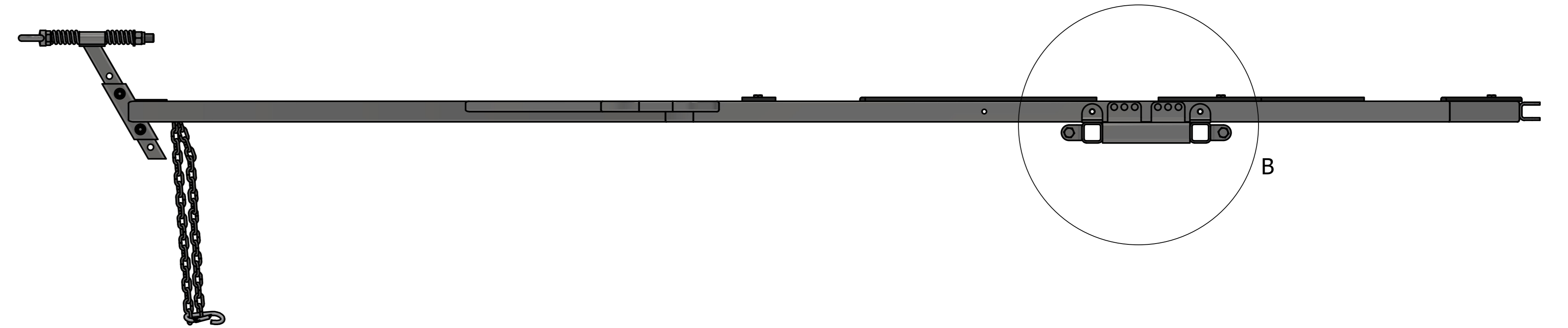
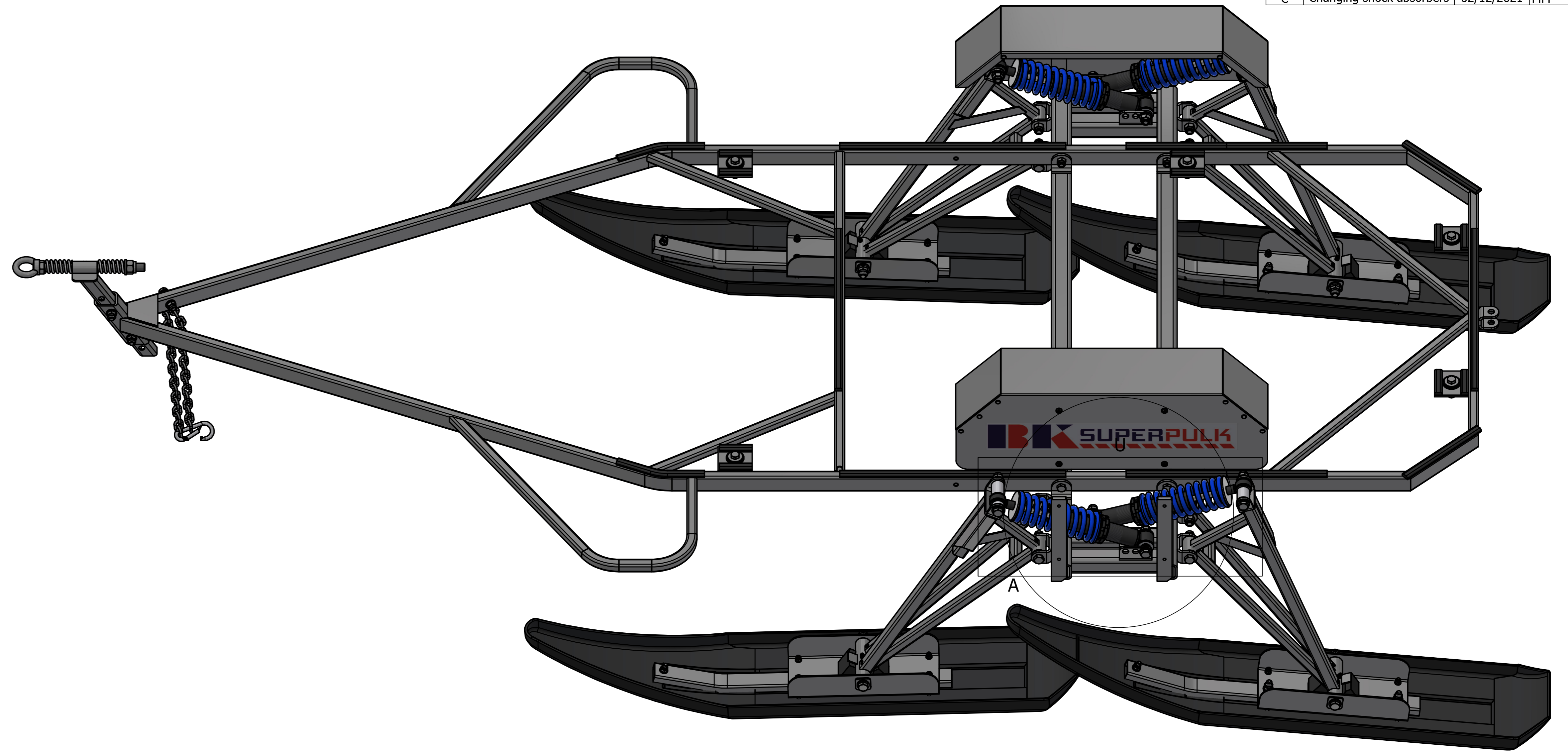
Position of the rear shock absorber



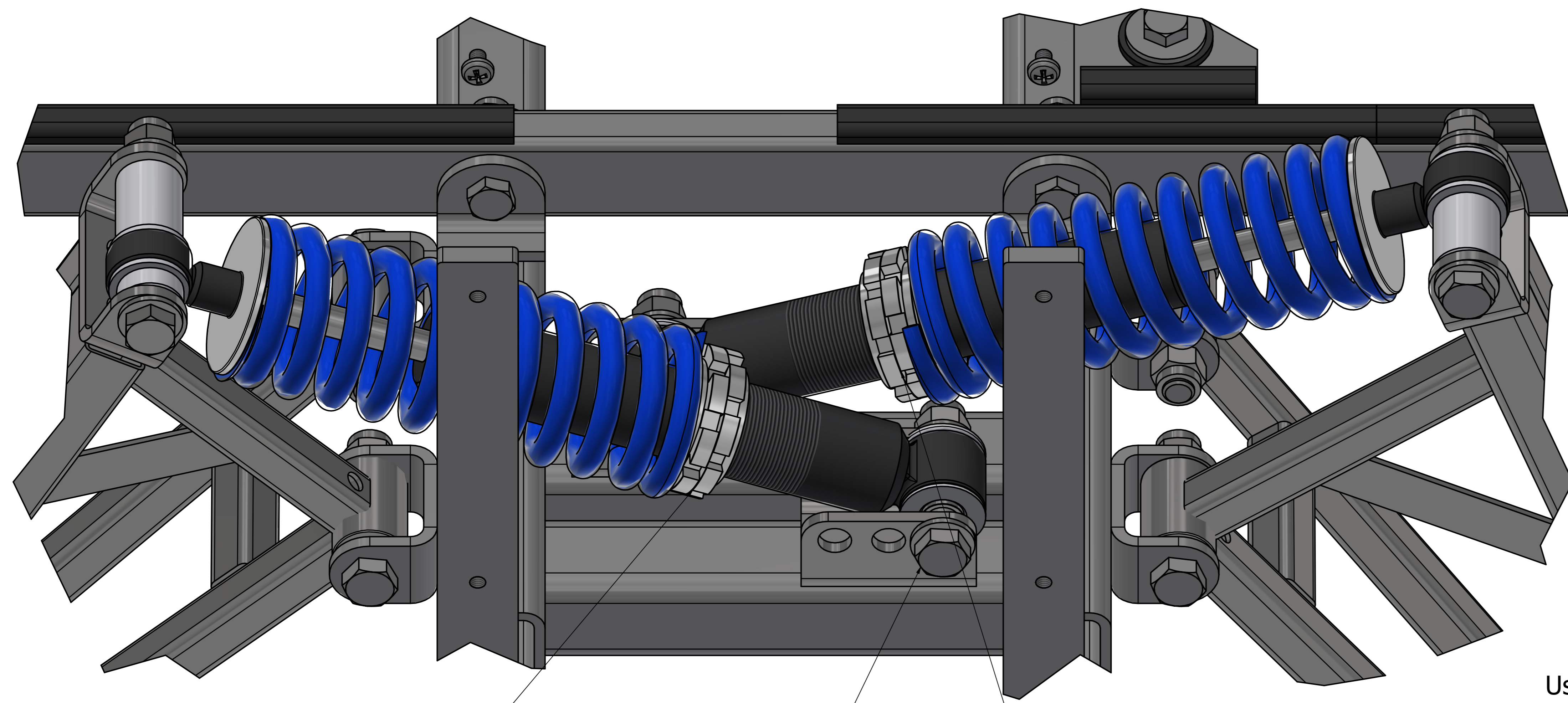
Rear hole



Middle hole



B (1 : 2)

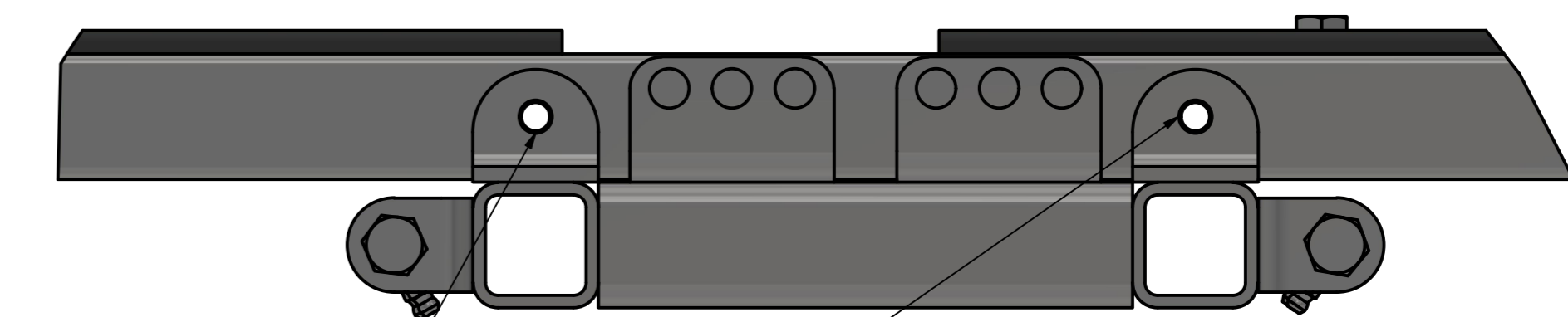


Front shock absorber

One set:
1x Bolt M12x65
2x Washers Ø12
1x Nut M12

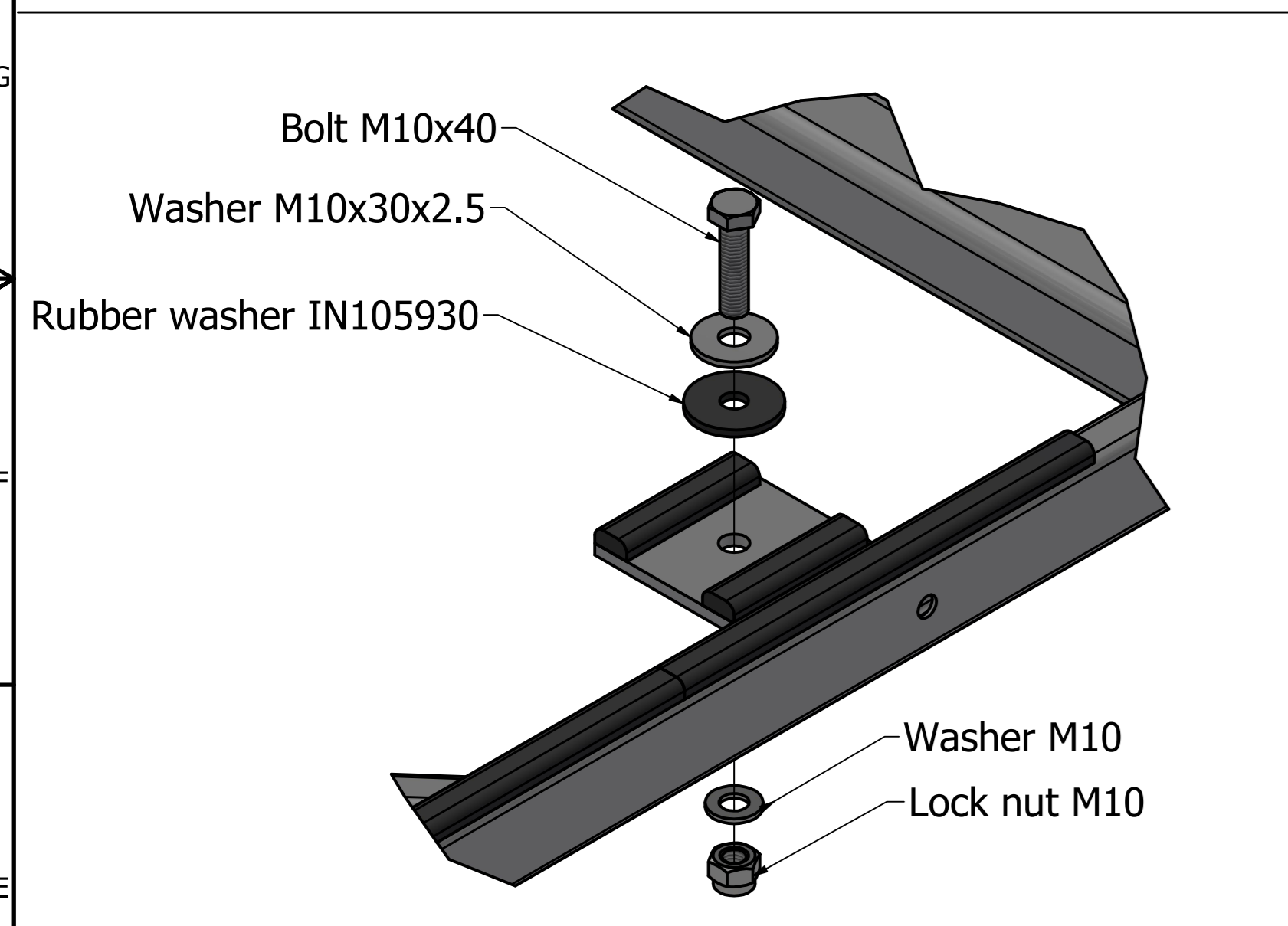
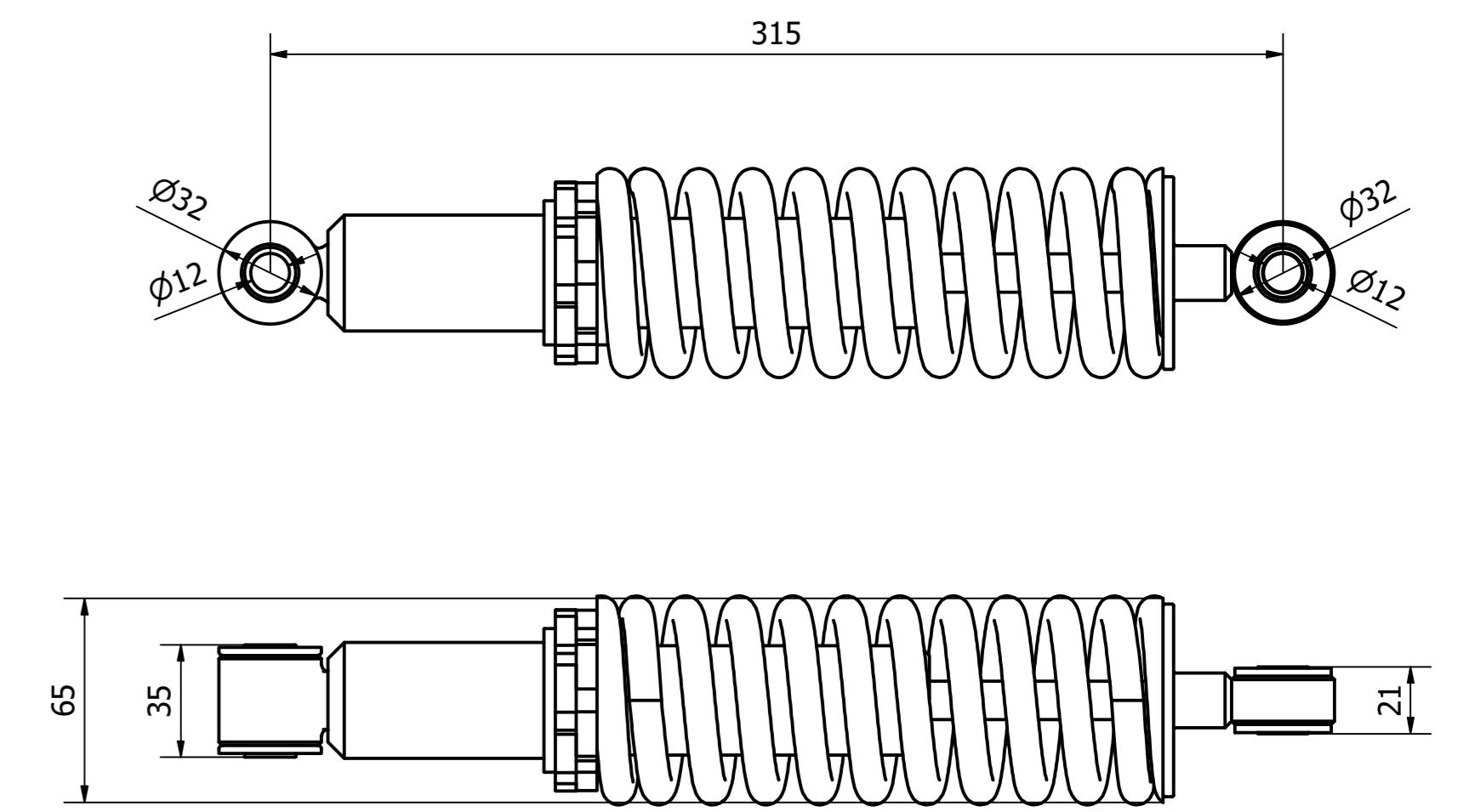
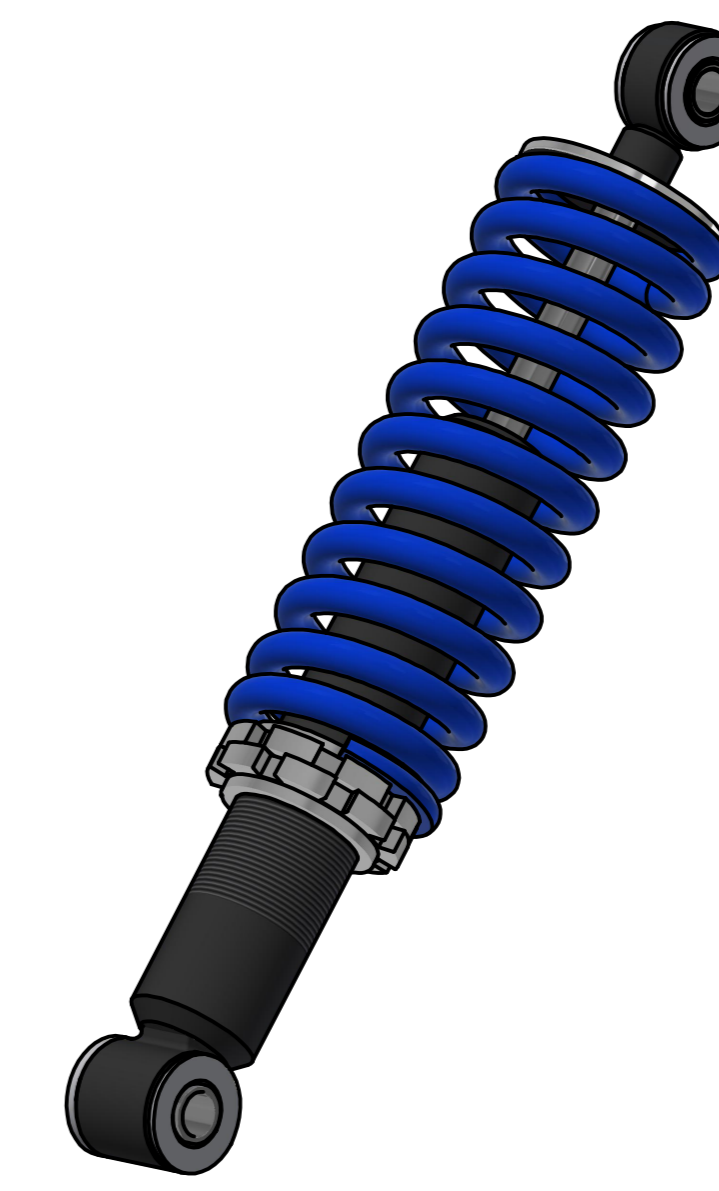
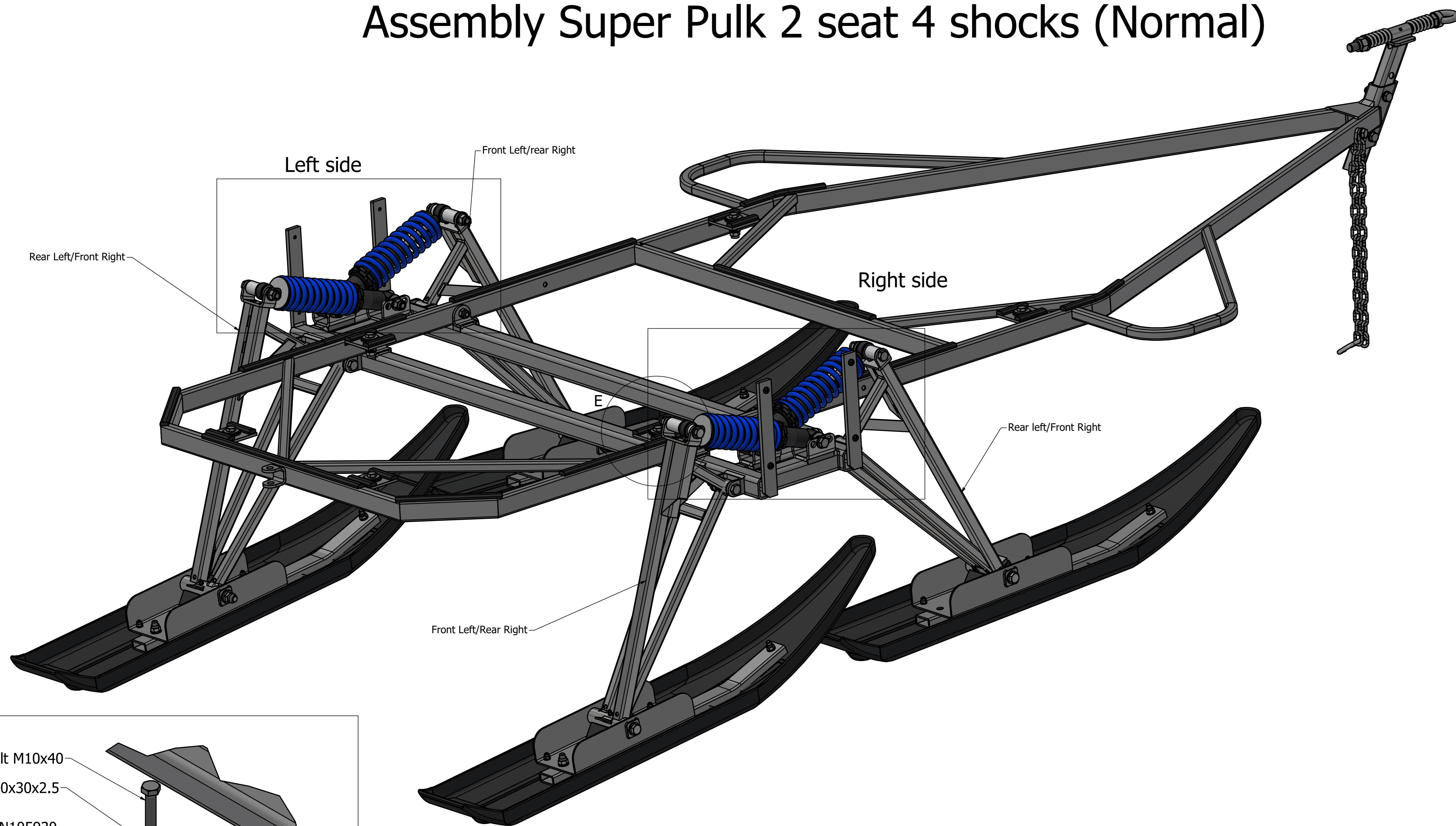
Rear shock absorber

Use the middle and rear hole in the top frame

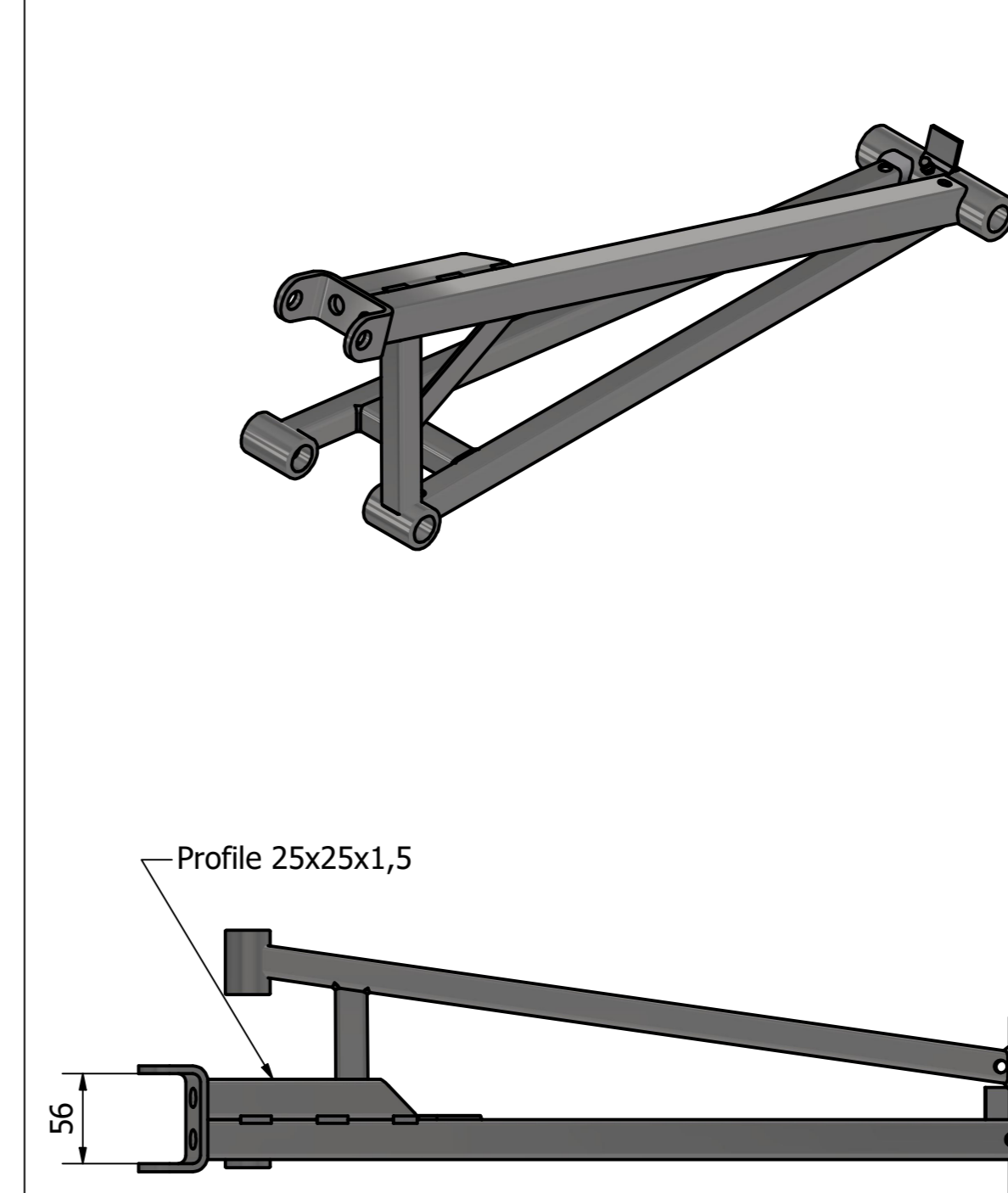


Created by	MM	Creation Date	05.09.2017	Total Pages	N/A	Personnel	2 person	Sheet of Sheets	1 / 2
		Super Pulk 2 seat Winter products							
Part Number (Drawing)		NK		Drawing Number		IN102445		Rev	
								B	

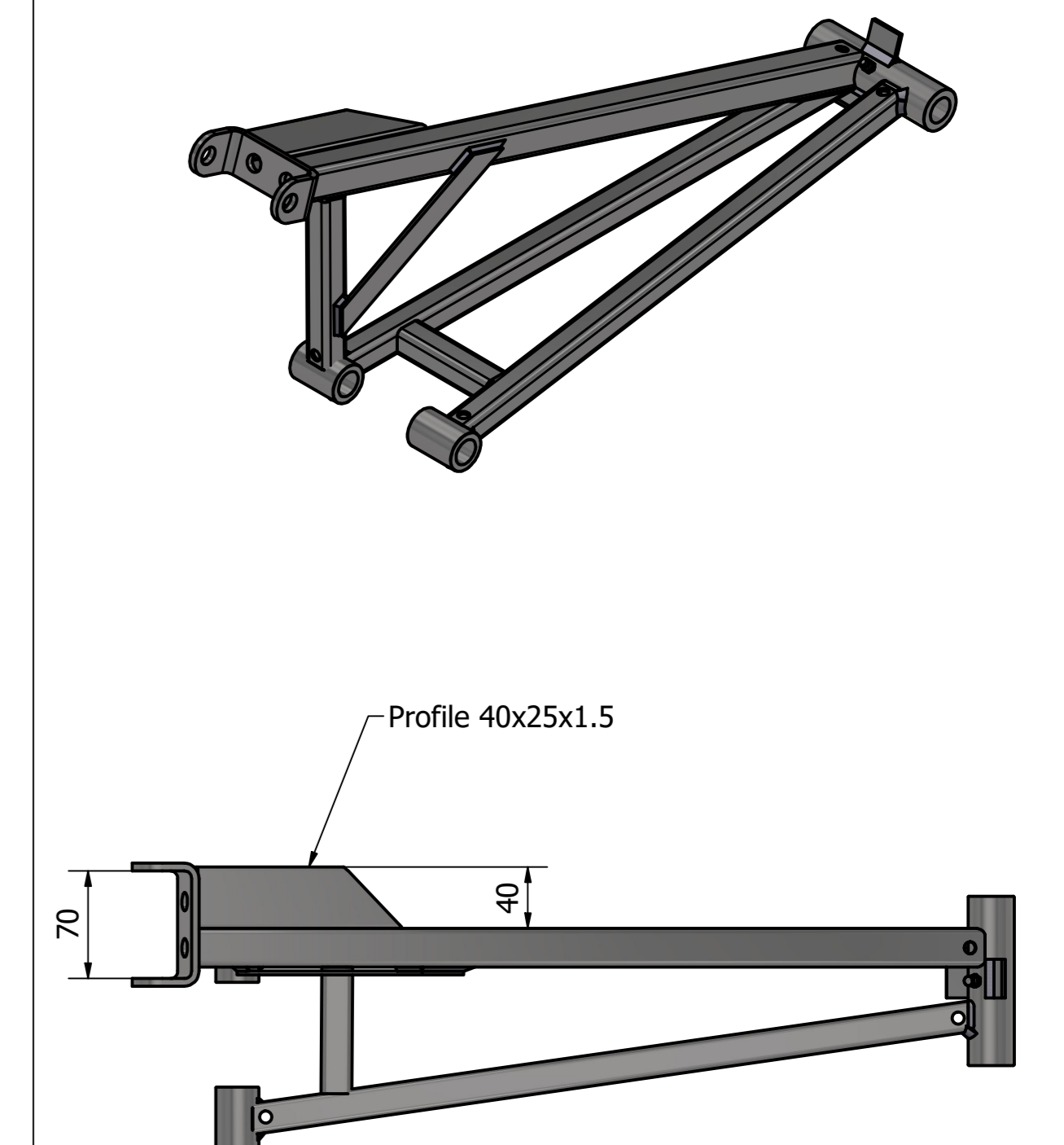
Assembly Super Pulk 2 seat 4 shocks (Normal)



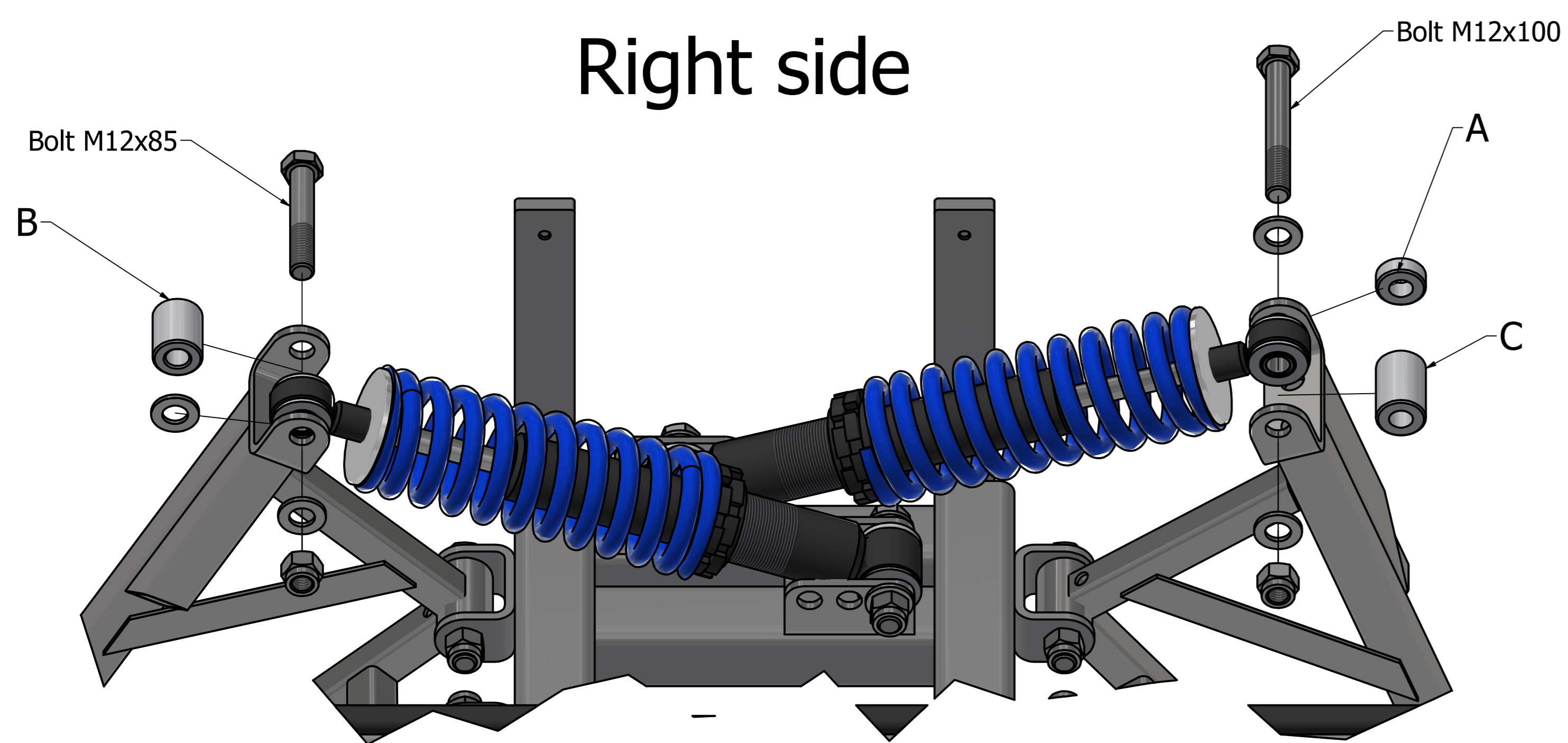
Rear Left/Front Right



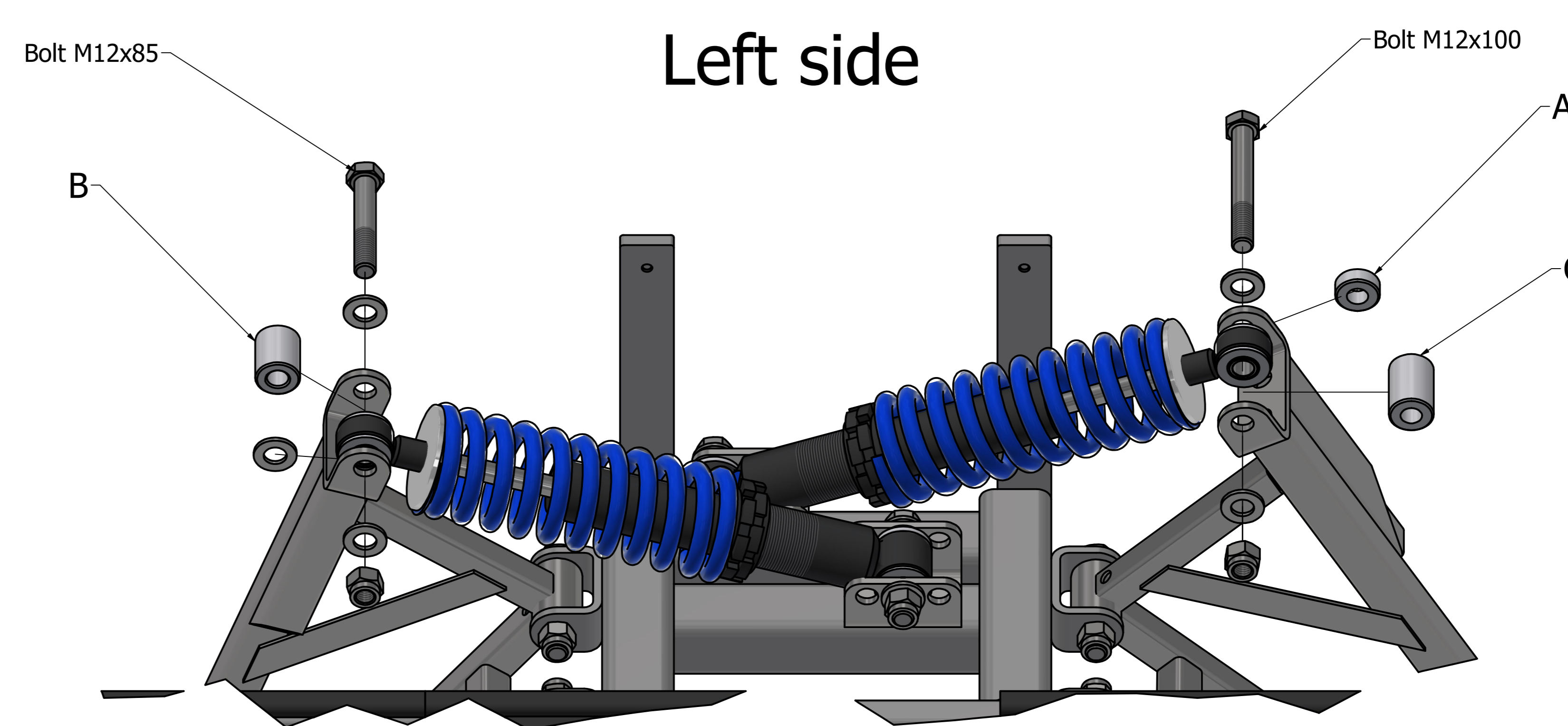
Rear right/Front Left



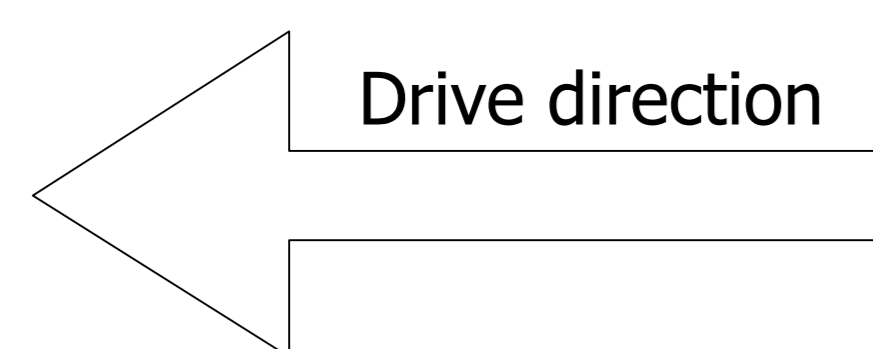
Right side



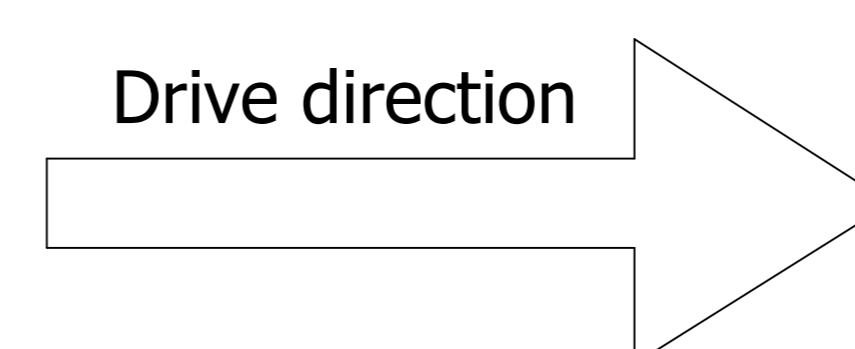
Left side



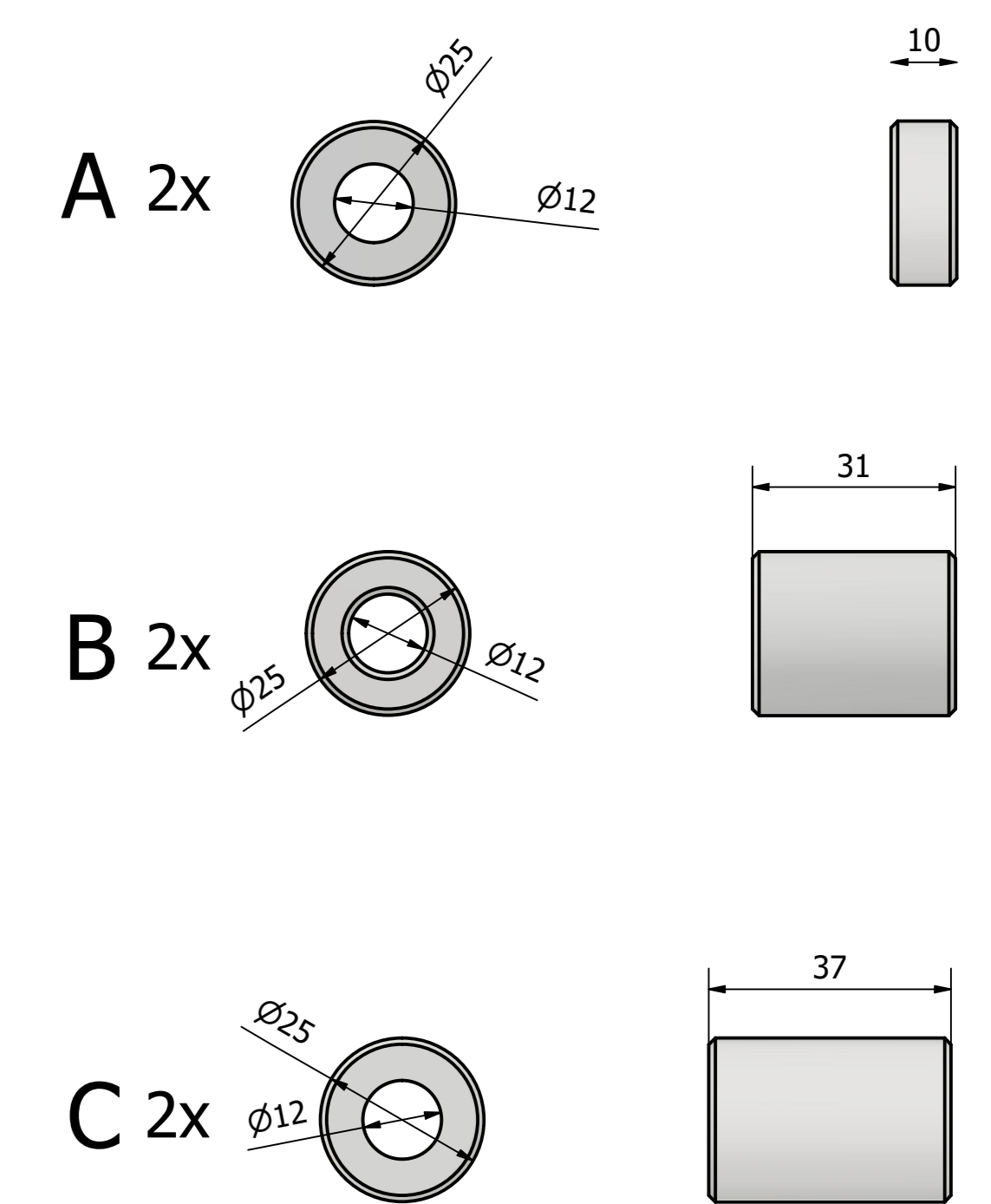
FRONT



FRONT



Spacers SET Art. Nr :13830



Created by	MM	Creation Date	08/10/2018	Total Pages	N/A	Format	A0	Scale	1 : 4	Sheet of Sheets	2 / 2	
Complete frame assembly Winter products												
Part Number (Drawing)	NK									Drawing Number	IN102445	
											Rev	A